
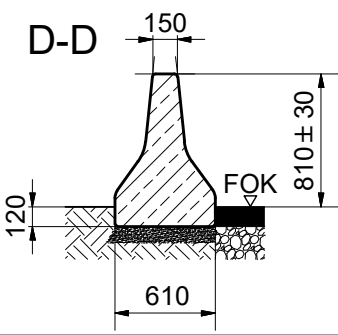
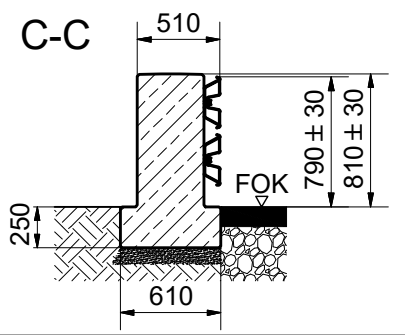
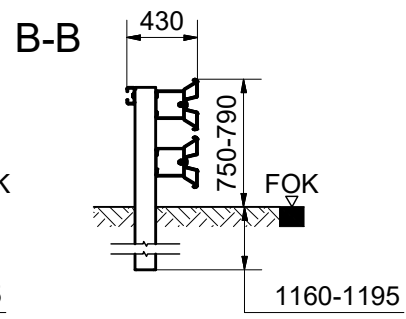
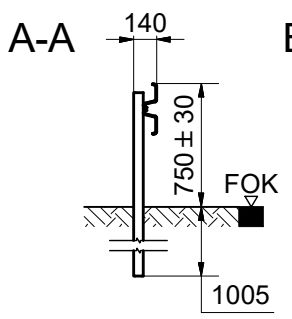
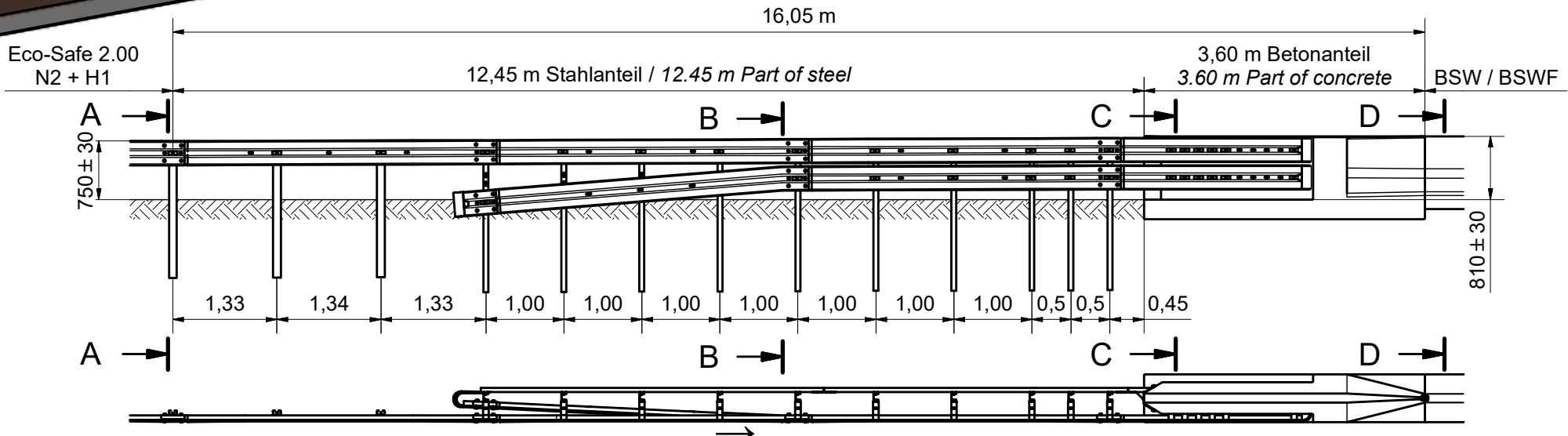
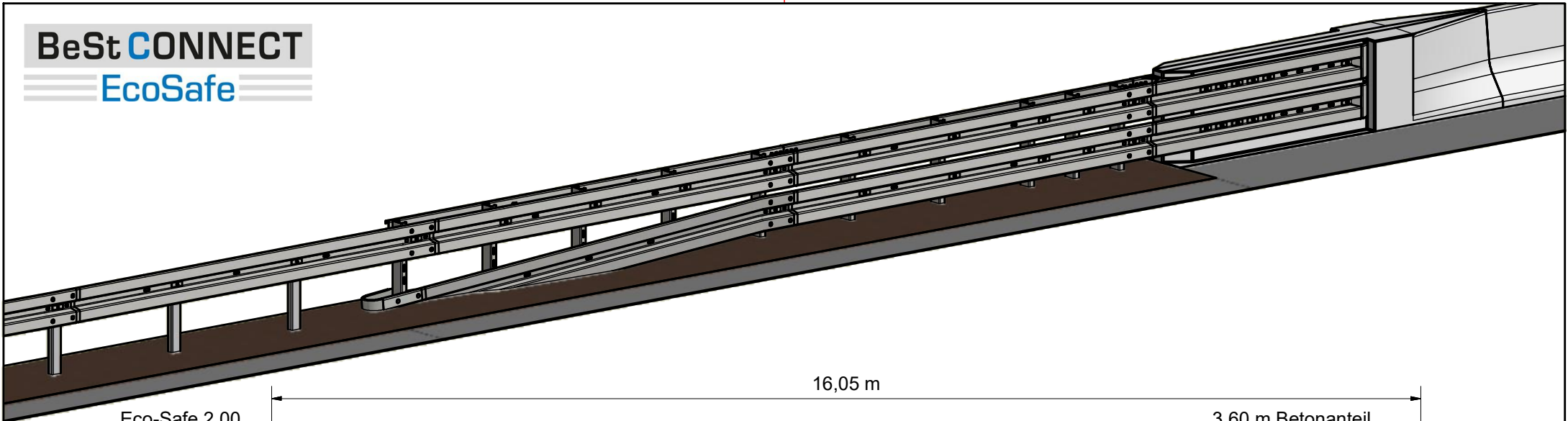



BeStCONNECT-EcoSafe A, Anfang, R/L (Stahlanteil) BeStCONNECT-EcoSafe A, beginning, right/left (part of steel)		
Drawn	Date	Name
21.11.2017	B.Homscheid	
Checked	18.02.2021	H.J. Schnitzler
ENV 1317-4	H1-W2-C	
Without our permission, this drawing must not be copied, nor to be handed over to any competitor nor to be made available to any other third party.		
VOLKMANN & ROSSBACH GmbH & Co. KG Hohe Strasse 9-17 56410 Montabaur • Germany Tel.: +49 (0) 2602 135-0 • Fax: -490		 ko0804-11 ENG-035282
		Sheet 1 / 1 Rev. B



BeStCONNECT-EcoSafe B, Anfang, R/L (Stahlanteil) BeStCONNECT-EcoSafe B, beginning, right/left (part of steel)		
Drawn	Date	Name
Checked	30.06.2020	HJ.Schnitzler
ENV 1317-4		H1-W2-C
VOLKMANN & ROSSBACH GmbH & Co. KG		
Hohe Strasse 9-17 56410 Montabaur • Germany		
Tel.: +49 (0) 2602 135-0 • Fax: -490		ko0804-13
Without our permission, this drawing must not be copied, nor to be handed over to any competitor nor to be made available to any other third party.		Sheet 1 / 1 Rev. A
ENG-035308		