

BeStCONNECT-EasyRail A, Anfang, R/L (Stahlanteil)  
BeStCONNECT-EasyRail A, beginning, R/L (steel part)

Drawn	26.02.2012	K. Neundorf	<b>VOLKMANN &amp; ROSSBACH</b> GmbH & Co. KG Hohe Strasse 9-17 56410 Montabaur • Germany Tel.: +49 (0) 2602 135-0 • Fax: -490	
Checked	23.12.2020	Y. Aller		
ENV 1317-4	H1-W1-C			

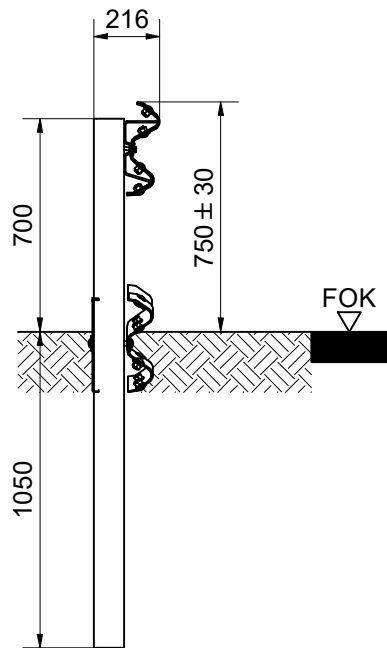
Without our permission, this drawing must not be copied, nor to be handed over to any competitor nor to be made available to any other third party.

ko1585-01

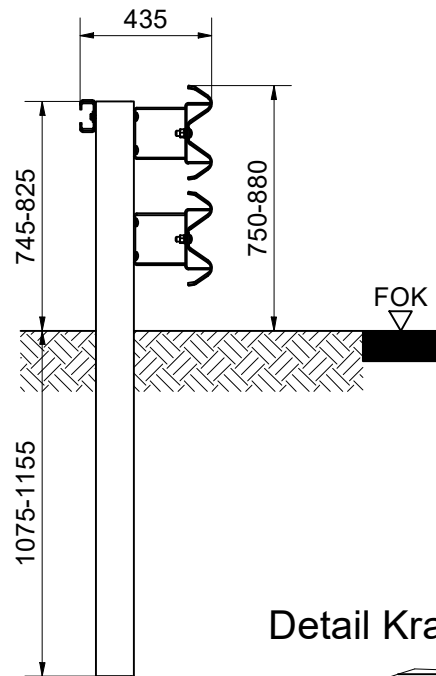
ENG-009188

Sheet	1 / 2
Rev.	C

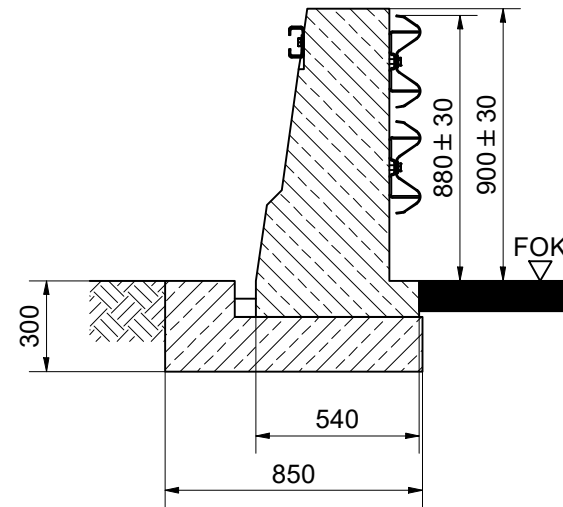
Schnitt A-A  
Section A-A



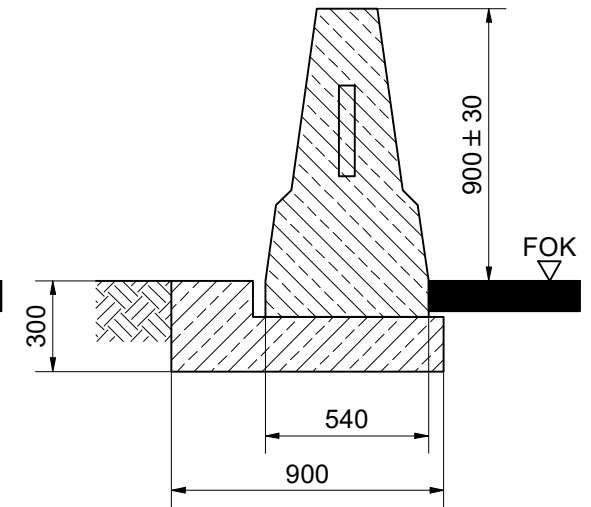
Schnitt B-B  
Section B-B



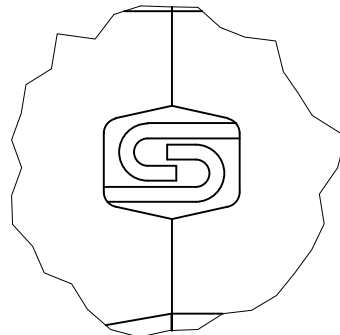
Schnitt C-C  
Section C-C



Schnitt D-D  
Section D-D

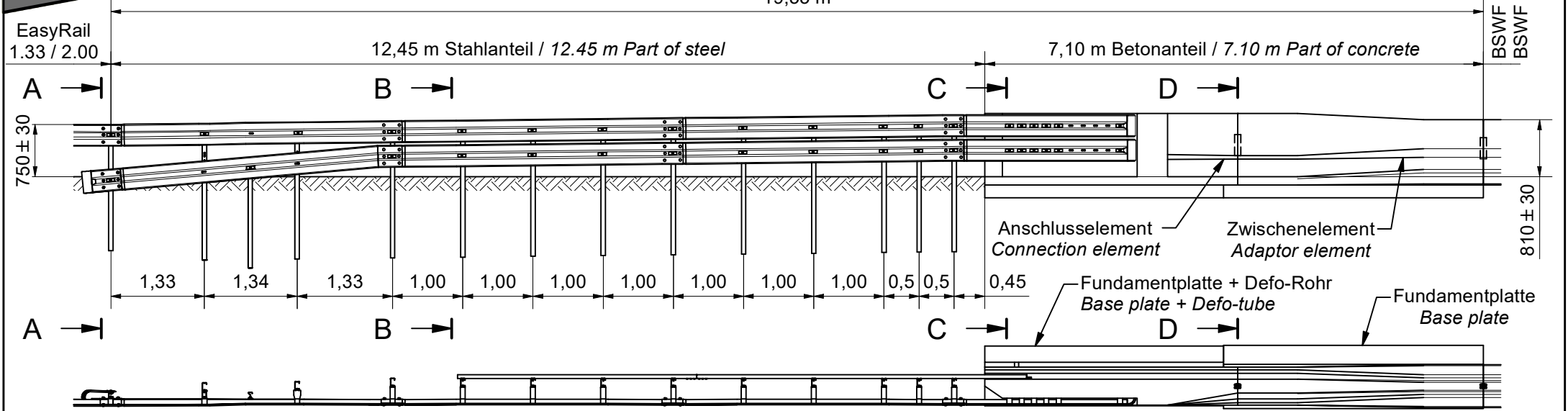
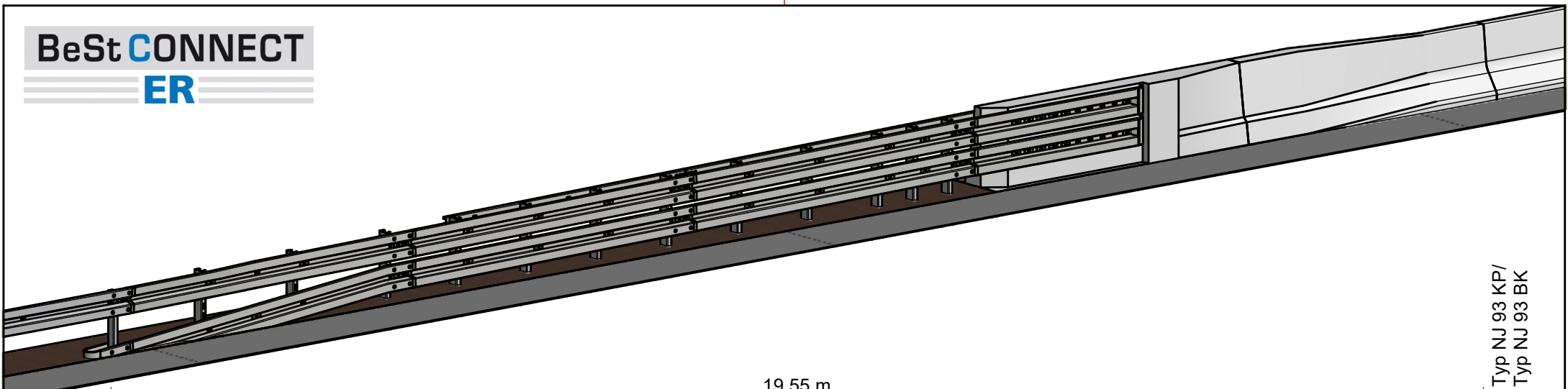


Detail Kralle / Hook



BeStCONNECT-EasyRail A, Anfang, R/L (Stahlteil)  
BeStCONNECT-EasyRail A, beginning, R/L (steel part)

Drawn	26.02.2012	K. Neundorf	<b>VOLKMANN &amp; ROSSBACH</b> GmbH & Co. KG Hohe Strasse 9-17 56410 Montabaur • Germany Tel.: +49 (0) 2602 135-0 • Fax: -490	
Checked	23.12.2020	Y. Aller		
ENV 1317-4	H1-W1-C			
Without our permission, this drawing must not be copied, nor to be handed over to any competitor nor to be made available to any other third party.				Sheet 2 / 2 Rev. C
ENG-009188				ko1585-01



BSWF Typ NJ 93 KP/  
BSWF Typ NJ 93 BK

BeStCONNECT-EasyRail B, Anfang, R/L (Stahlanteil)  
BeStCONNECT-EasyRail B, beginning, R/L (steel part)

Drawn	10.01.2012	Y. Aller	<b>VOLKMANN &amp; ROSSBACH</b> GmbH & Co. KG Hohe Strasse 9-17 56410 Montabaur • Germany Tel.: +49 (0) 2602 135-0 • Fax: -490	
Checked	12.02.2021	H.J. Schnitzler		
ENV 1317-4	H1-W1-C			

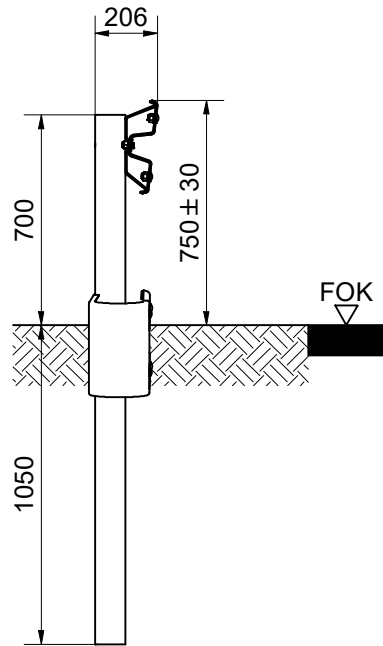
Without our permission, this drawing must not be copied, nor to be handed over to any competitor nor to be made available to any other third party.

ko1585-03

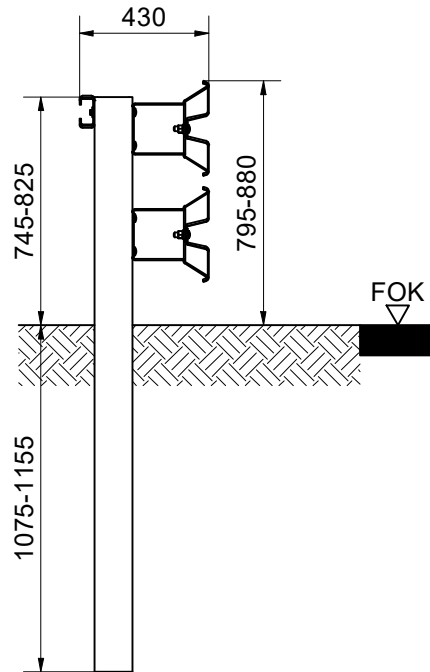
ENG-008747

Sheet	1 / 2
Rev. C	

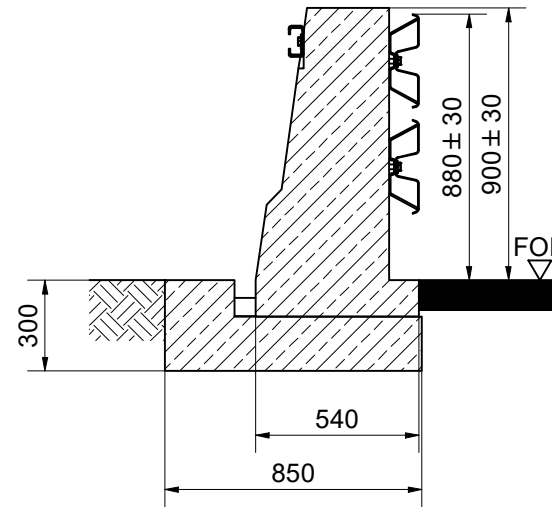
Schnitt A-A  
Section A-A



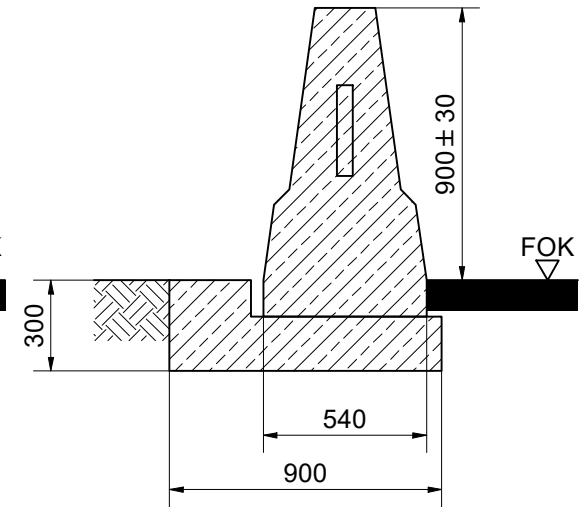
Schnitt B-B  
Section B-B



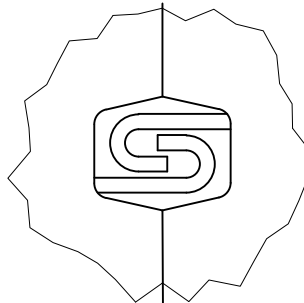
Schnitt C-C  
Section C-C



Schnitt D-D  
Section D-D



Detail Kralle / Hook



BeStCONNECT-EasyRail B, Anfang, R/L (Stahlteil)  
BeStCONNECT-EasyRail B, beginning, R/L (steel part)

Drawn	10.01.2012	Y. Aller	<b>VOLKMANN &amp; ROSSBACH</b> GmbH & Co. KG Hohe Strasse 9-17 56410 Montabaur • Germany Tel.: +49 (0) 2602 135-0 • Fax: -490	
Checked	12.02.2021	H.J. Schnitzler		
ENV 1317-4	H1-W1-C			
Without our permission, this drawing must not be copied, nor to be handed over to any competitor nor to be made available to any other third party.			ko1585-03	Sheet 2 / 2 Rev. C
ENG-008747				