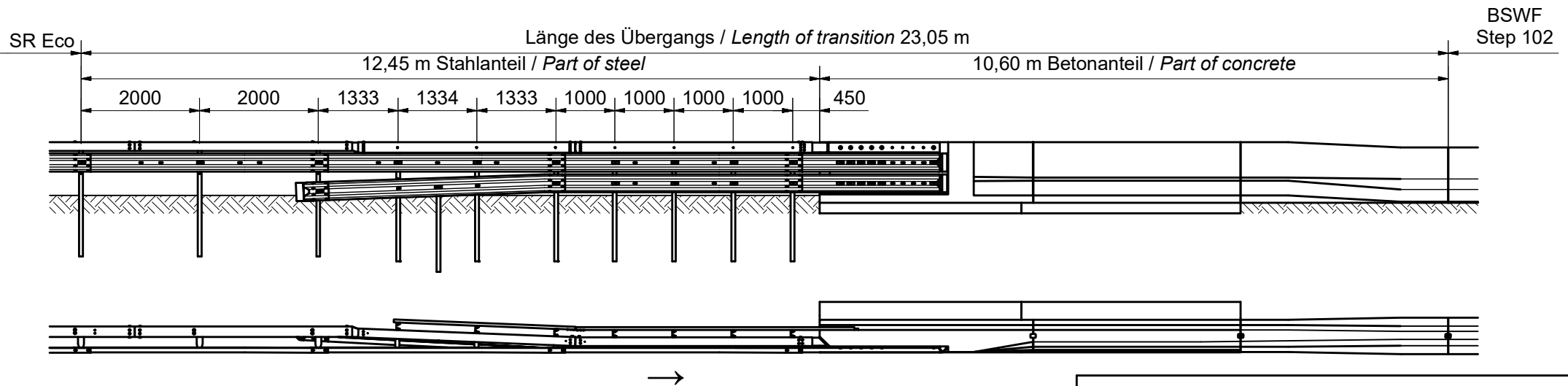
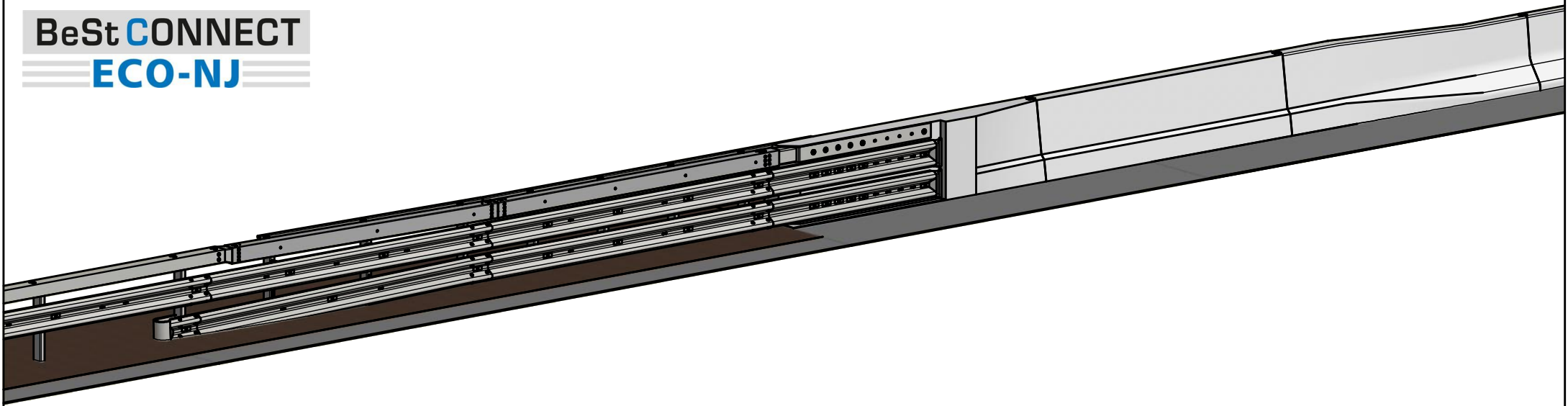


BeSt CONNECT ECO-NJ

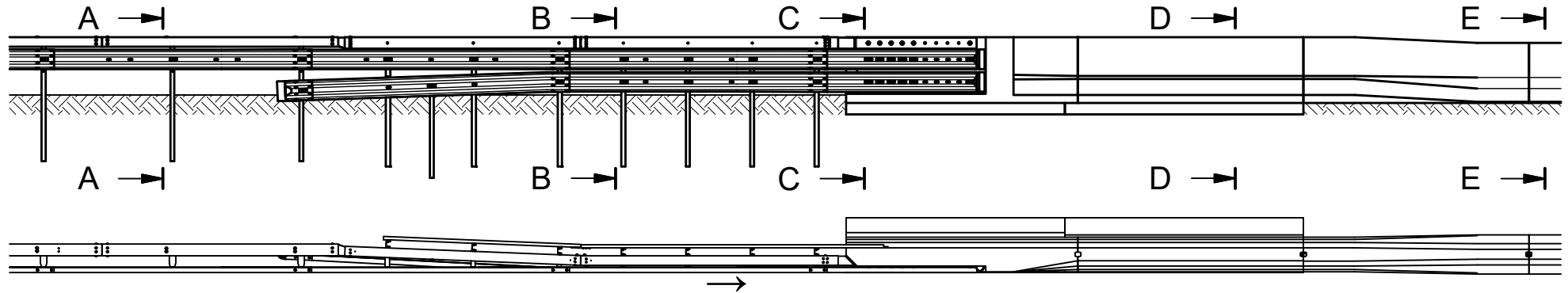


Schnitte siehe Blatt 2
Sections see sheet 2

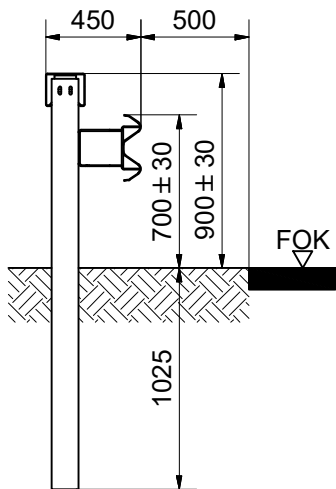
BeStCONNECT Eco-NJ A, Mitte, Anfang, (Stahlanteil)
BeStCONNECT Eco-NJ A, Median, Beginning, (Part of steel)

Drawn	16.08.2019	B.Homscheid	VOLKMANN & ROSSBACH GmbH & Co. KG Hohe Strasse 9-17 56410 Montabaur • Germany Tel.: +49 (0) 2602 135-0 • Fax: -490	
Checked	26.09.2019	Y.Aller		
ENV 1317-4	H2-W4-B			
Without our permission, this drawing must not be copied, nor to be handed over to any competitor nor to be made available to any other third party.			ko1734NJ ENG-045393	Sheet 1 / 2 Rev. -

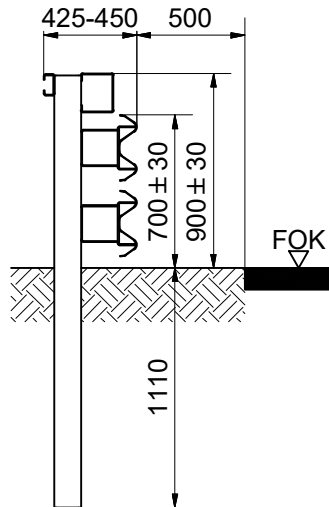
BeStCONNECT ECO-NJ



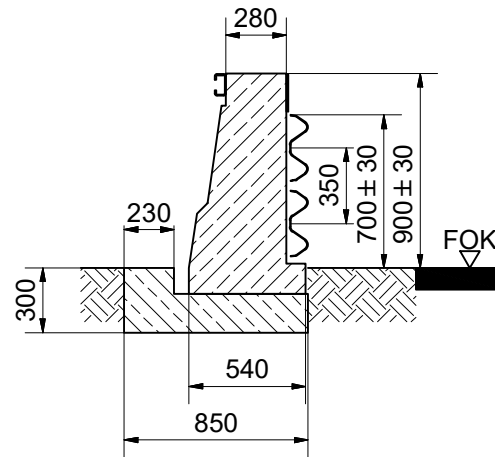
Schnitt A-A
Section A-A



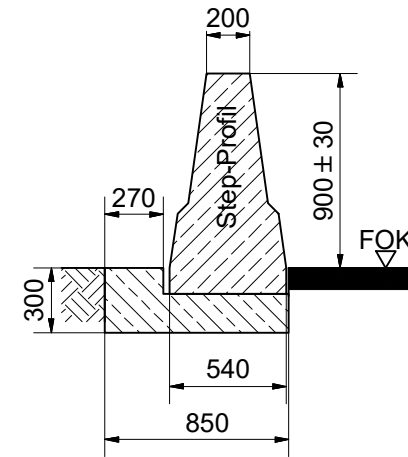
Schnitt B-B
Section B-B



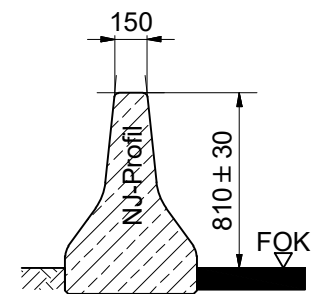
Schnitt C-C
Section C-C



Schnitt D-D
Section D-D



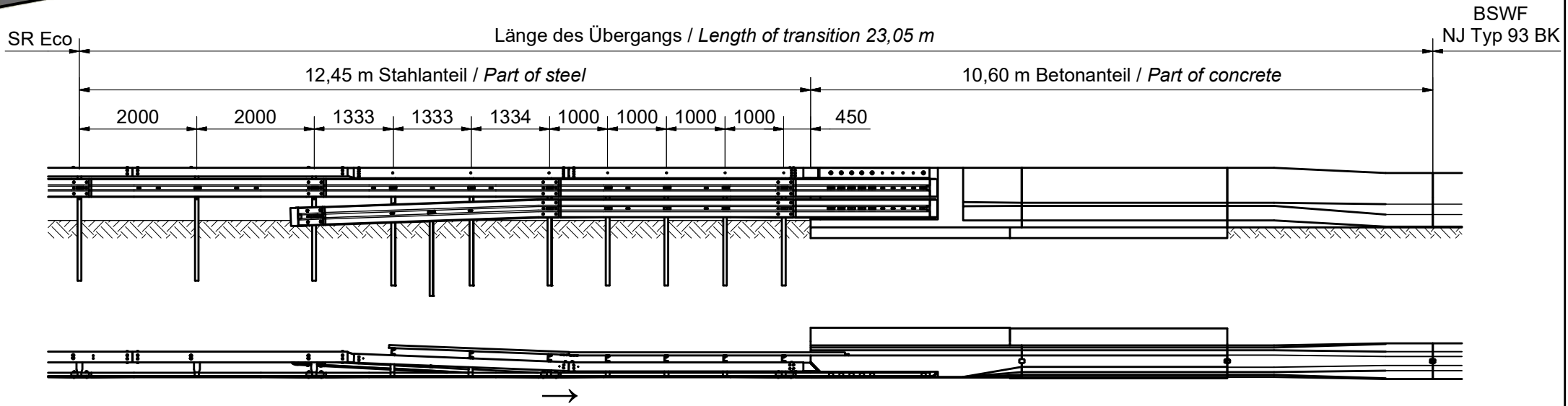
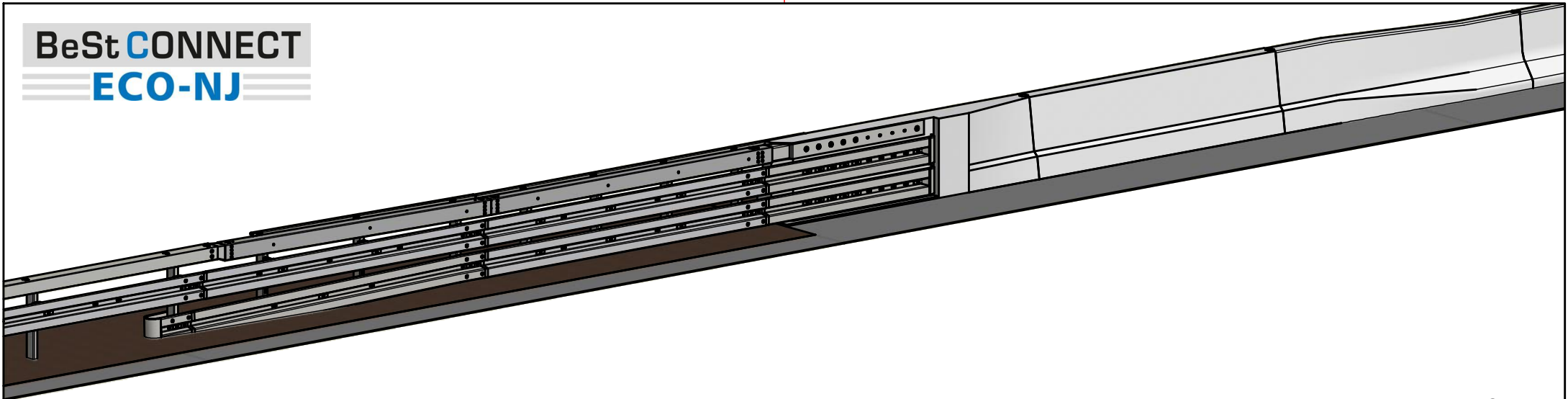
Schnitt E-E
Section E-E



BeStCONNECT Eco-NJ A, Mitte, Anfang, (Stahlanteil)
BeStCONNECT Eco-NJ A, Median, Beginning, (Part of steel)

Drawn	16.08.2019	B.Homscheid	VOLKMANN & ROSSBACH GmbH & Co. KG Hohe Strasse 9-17 56410 Montabaur • Germany Tel.: +49 (0) 2602 135-0 • Fax: -490	
Checked	26.09.2019	Y.Aller		
ENV 1317-4	H2-W4-B			
Without our permission, this drawing must not be copied, nor to be handed over to any competitor nor to be made available to any other third party.				Sheet 2 / 2
ko1734NJ				Rev. -
ENG-045393				

BeSt CONNECT ECO-NJ



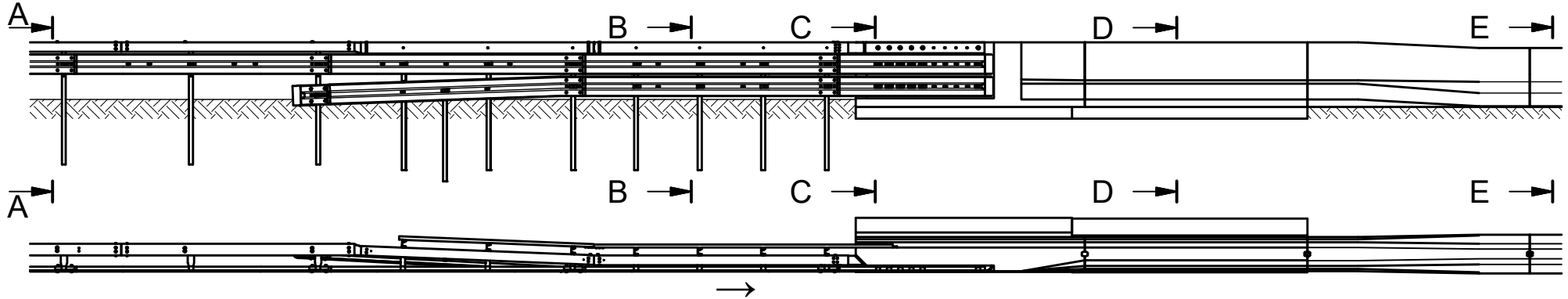
Schnitte siehe Blatt 2
Sections see sheet 2

BeStCONNECT Eco-NJ B, Mitte, Anfang, (Stahlanteil)
BeStCONNECT Eco-NJ B, Median, Beginning, (Part of steel)

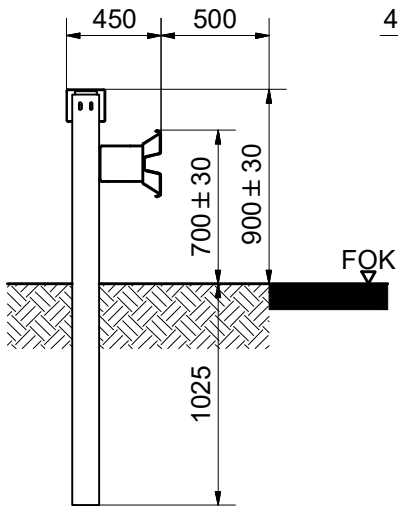
Drawn	04.07.2019	B.Homscheid	VOLKMANN & ROSSBACH GmbH & Co. KG Hohe Strasse 9-17 56410 Montabaur • Germany Tel.: +49 (0) 2602 135-0 • Fax: -490	
Checked	26.09.2019	Y.Aller		
ENV 1317-4		H2-W4-B		
Without our permission, this drawing must not be copied, nor to be handed over to any competitor nor to be made available to any other third party.				Sheet 1 / 2
ENG-044540				Rev. B

ko1736NJ

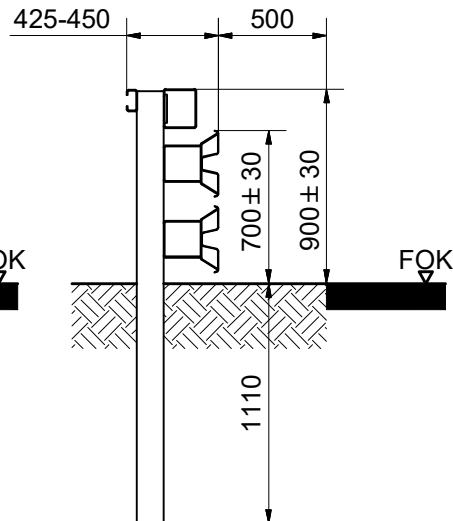
BeStCONNECT ECO-NJ



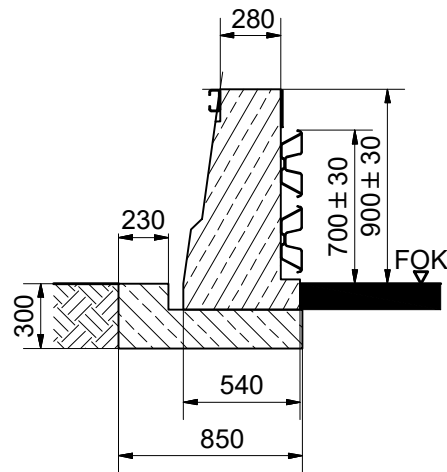
Schnitt A-A
Section A-A



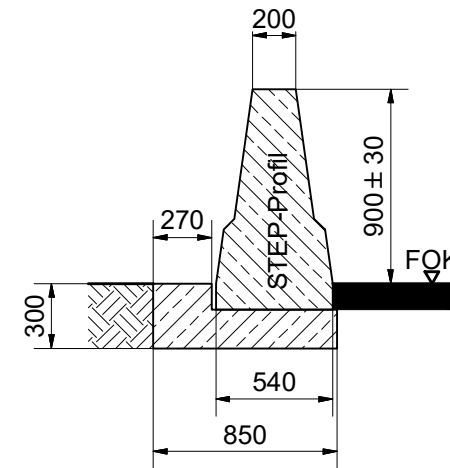
Schnitt B-B
Section B-B



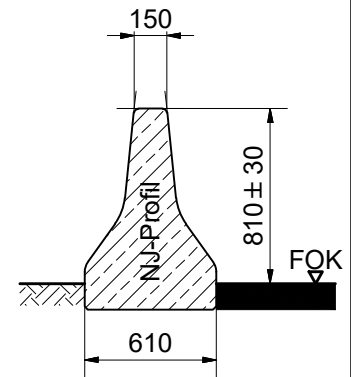
Schnitt C-C
Section C-C



Schnitt D-D
Section D-D



Schnitt E-E
Section E-E



BeStCONNECT Eco-NJ B, Mitte, Anfang, (Stahlanteil)
BeStCONNECT Eco-NJ B, Median, Beginning, (Part of steel)

Drawn	Date	Name	VOLKMANN & ROSSBACH GmbH & Co. KG Hohe Strasse 9-17 56410 Montabaur • Germany Tel.: +49 (0) 2602 135-0 • Fax: -490
Checked	04.07.2019	B.Homscheid	
ENV 1317-4	26.09.2019	Y.Aller	
		H2-W4-B	

Without our permission, this drawing must not be copied, nor to be handed over to any competitor nor to be made available to any other third party.

ko1736NJ
ENG-044540



Sheet
2 / 2
Rev. B