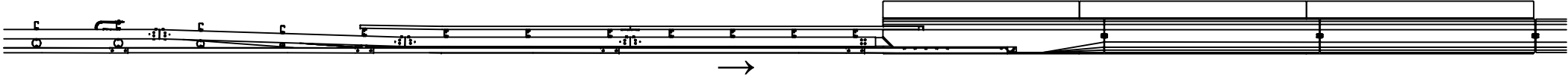
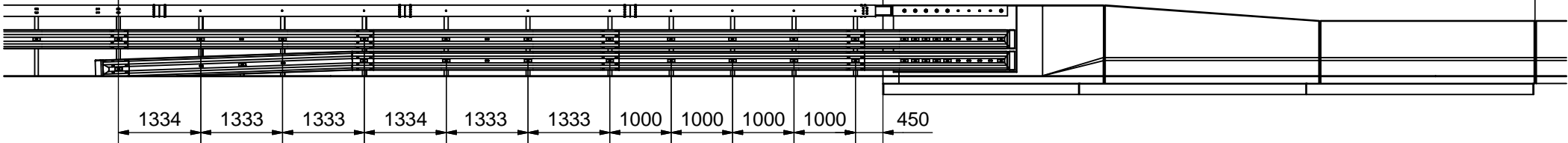


Länge des Übergangs / Length of transition
23,05m

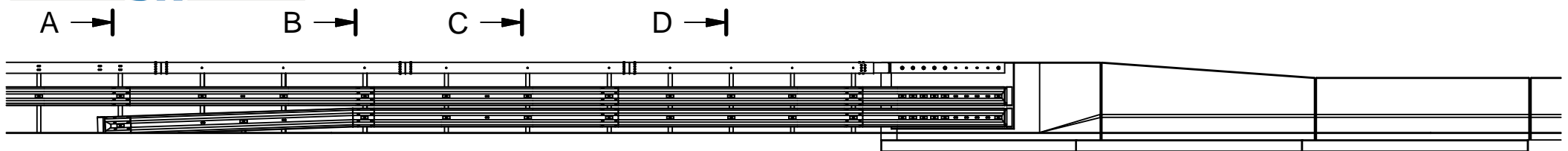
Super-Rail 12,45m Stahlanteil / Part of steel 10,60m Betonanteil / Part of concrete BSW / BSWF



BeStCONNECT-SR A, Mitte, Anfang, (Stahlanteil)
BeStCONNECT-SR A, left, beginning, (part of steel)
Part-No.: ko0474

Drawn	23.01.2012	Y.Aller	VOLKMANN & ROSSBACH GmbH & Co. KG Hohe Strasse 9-17 56410 Montabaur • Germany Tel.: +49 (0) 2602 135-0 • Fax: -490 VR
Checked	24.01.2012	HJ.Schnitzler	
	ENV 1317-4	H2-W2-C	
Without our permission, this drawing must not be copied, nor to be handed over to any competitor nor to be made available to any other third party.			ko0474 Sheet 1 / 3 Rev.
Origin	ENG-008841	Replacement for	Replaced by

Schnitte siehe Blatt 2+3
Sections see sheet 2+3

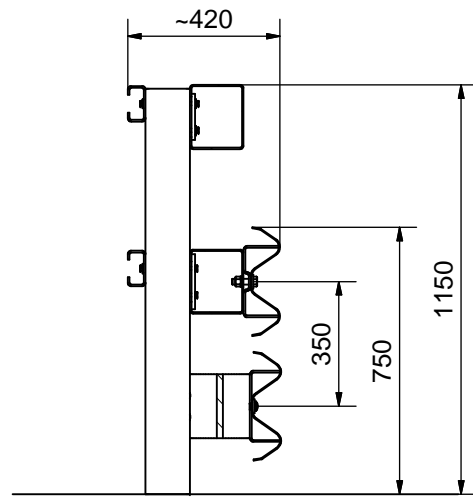
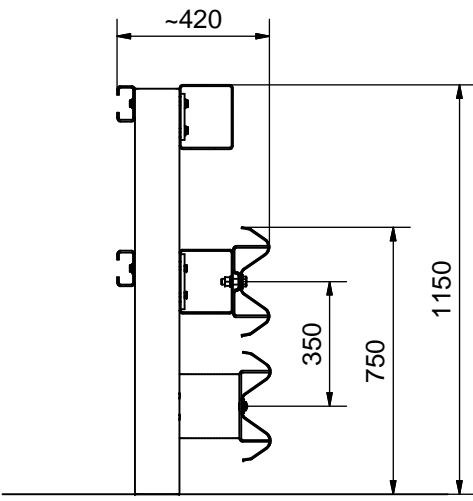
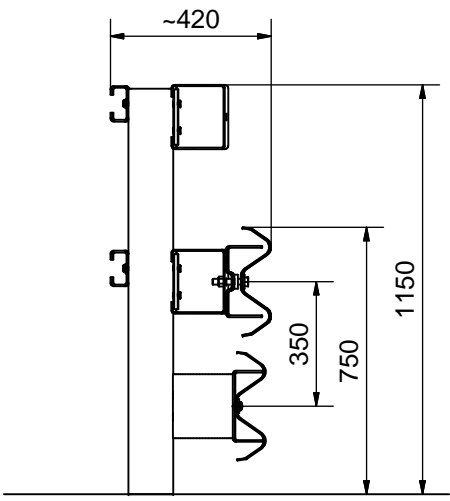
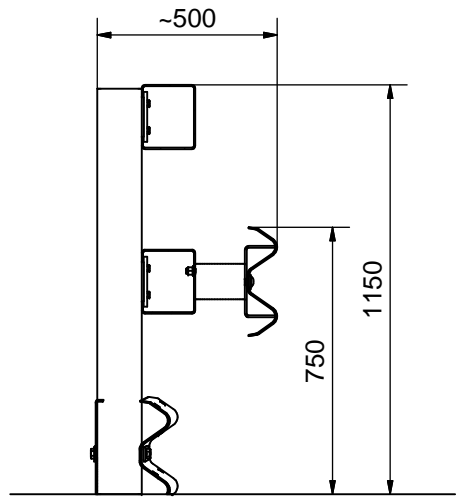


Schnitt A-A
Section A-A

Schnitt B-B
Section B-B

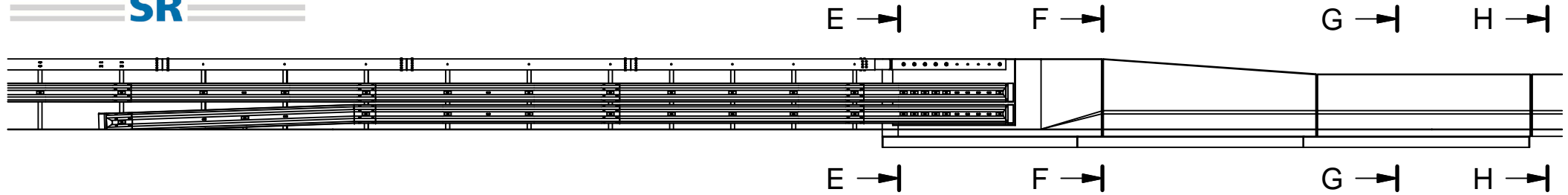
Schnitt C-C
Section C-C

Schnitt D-D
Section D-D



BeStCONNECT-SR A, Mitte, Anfang, (Stahlanteil)
BeStCONNECT-SR A, left, beginning, (part of steel)
Part-No.: ko0474

Drawn	23.01.2012	Y.Aller	VOLKMANN & ROSSBACH GmbH & Co. KG Hohe Strasse 9-17 56410 Montabaur • Germany Tel.: +49 (0) 2602 135-0 • Fax: -490	
Checked	24.01.2012	HJ.Schnitzler		
	ENV 1317-4	H2-W2-C	ko0474 Sheet 2/3 Rev.	
Without our permission, this drawing must not be copied, nor to be handed over to any competitor nor to be made available to any other third party.			ENG-008886	
Origin ENG-008841			Replacement for	Replaced by

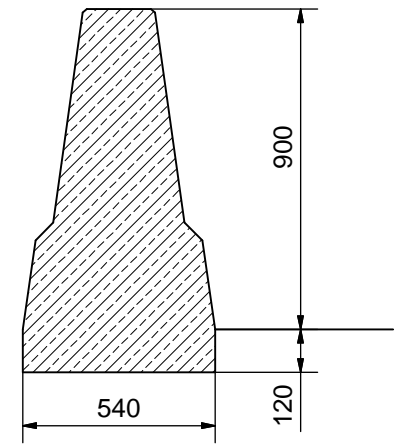
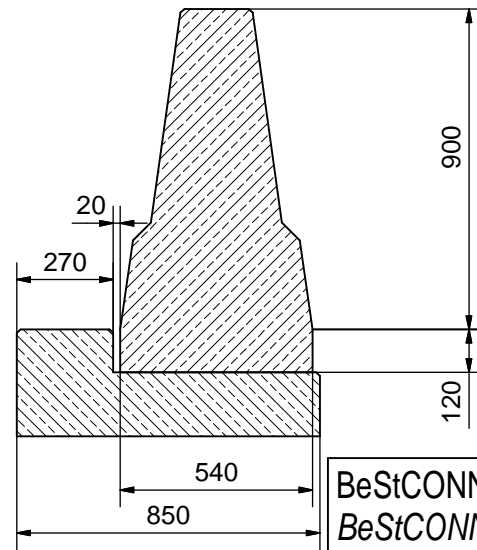
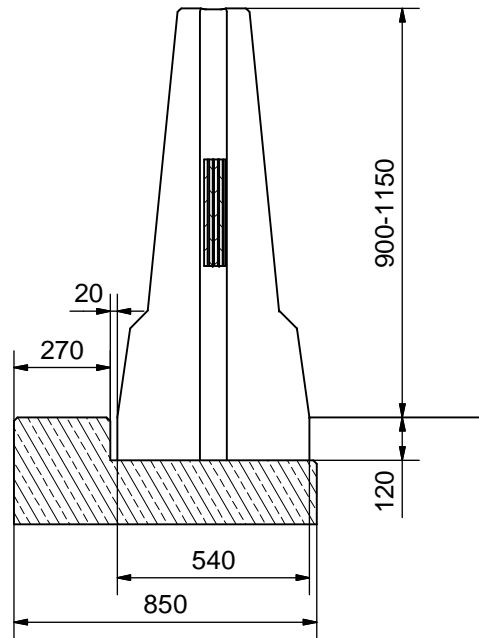
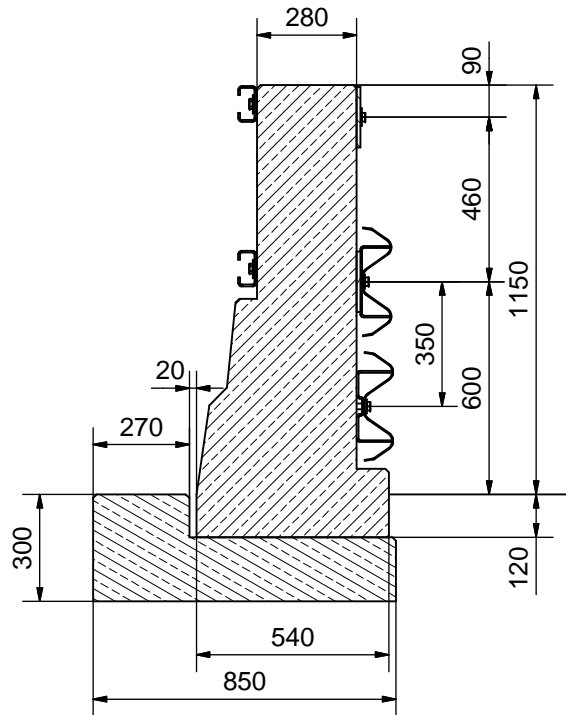


Schnitt E-E
Section E-E

Schnitt F-F
Section F-F

Schnitt G-G
Section G-G

Schnitt H-H
Section H-H



BeStCONNECT-SR A, Mitte, Anfang, (Stahlanteil)
BeStCONNECT-SR A, left, beginning, (part of steel)
Part-No.: ko0474

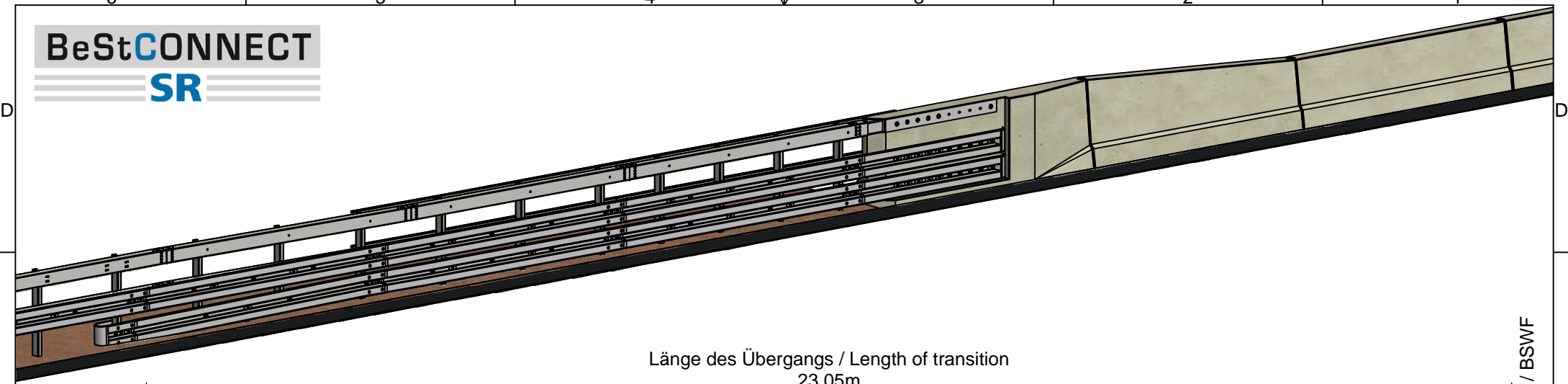
Drawn	23.01.2012	Y.Aller
Checked	24.01.2012	HJ.Schnitzler
ENV 1317-4		H2-W2-C

VOLKMANN & ROSSBACH GmbH & Co. KG
Hohe Strasse 9-17
56410 Montabaur • Germany
Tel.: +49 (0) 2602 135-0 • Fax: -490



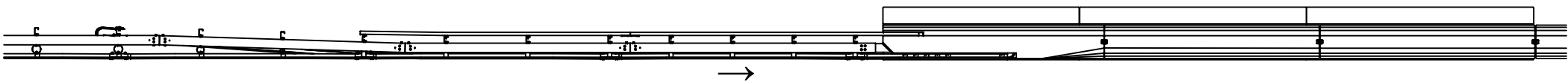
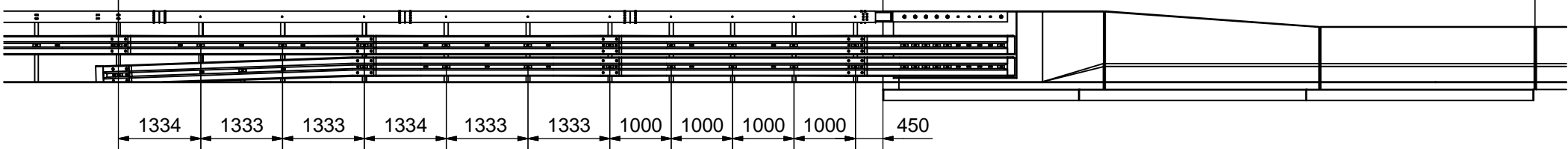
Without our permission, this drawing must not be copied, nor to be handed over to any competitor nor to be made available to any other third party.
Origin ENG-008841

ENG-008886
Replacement for
Replaced by
ko0474
Sheet 3/3
Rev.



Länge des Übergangs / Length of transition
23,05m

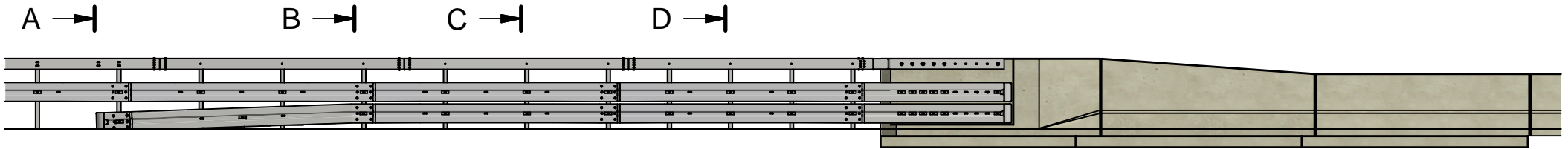
Super-Rail 12,45m Stahlanteil / Part of steel 10,60m Betonanteil / Part of concrete BSW / BSWF



BeStCONNECT-SR B, Mitte, Anfang, (Stahlanteil)
BeStCONNECT-SR B, left, beginning, (part of steel)
Part-No.: ko0476

Drawn	29.10.2014	HJ.Schnitzler	VOLKMANN & ROSSBACH GmbH & Co. KG Hohe Strasse 9-17 56410 Montabaur • Germany Tel.: +49 (0) 2602 135-0 • Fax: -490 VR
Checked	05.12.2014	HJ.Schnitzler	
	ENV 1317-4	H2-W2-C	
Without our permission, this drawing must not be copied, nor to be handed over to any competitor nor to be made available to any other third party.			ENG-018304
Origin	ENG-008886	Replacement for	ko0476
		Replaced by	Sheet 1/3

Schnitte siehe Blatt 2+3
Sections see sheet 2+3

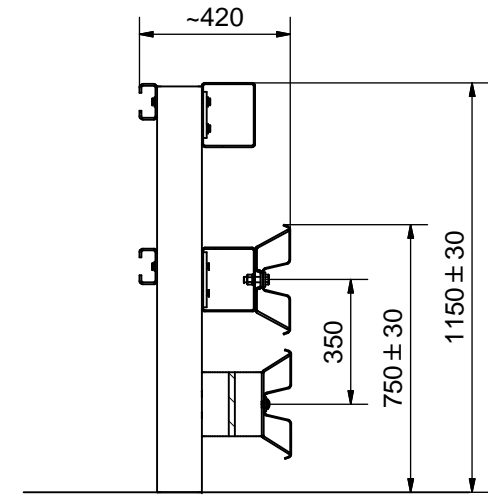
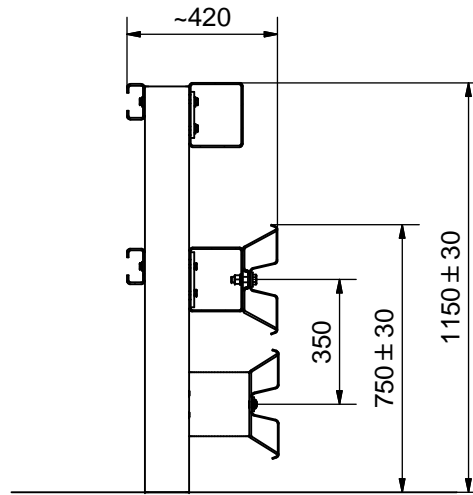
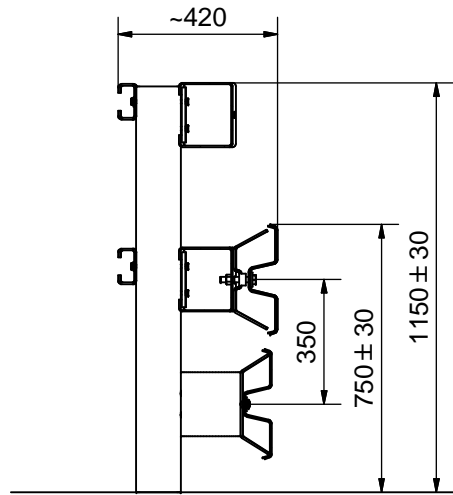
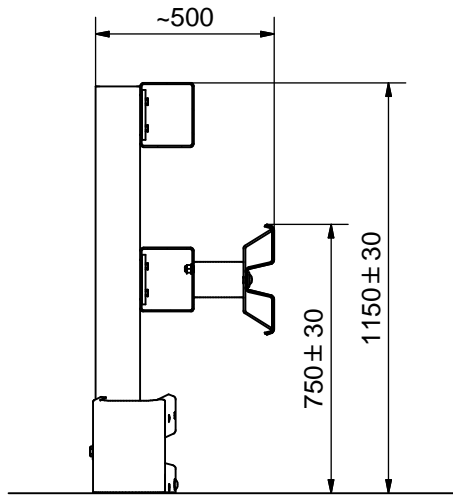


Schnitt A-A
Section A-A

Schnitt B-B
Section B-B

Schnitt C-C
Section C-C

Schnitt D-D
Section D-D



BeStCONNECT-SR B, Mitte, Anfang, (Stahlanteil)
BeStCONNECT-SR B, left, beginning, (part of steel)

Part-No.: ko0476

Drawn	29.10.2014	HJ.Schnitzler
Checked	05.12.2014	HJ.Schnitzler
ENV 1317-4		H2-W2-C

VOLKMANN & ROSSBACH GmbH & Co. KG
Hohe Strasse 9-17
56410 Montabaur • Germany
Tel.: +49 (0) 2602 135-0 • Fax: -490



Without our permission, this drawing must not be copied, nor to be handed over to any competitor nor to be made available to any other third party.

ENG-018304

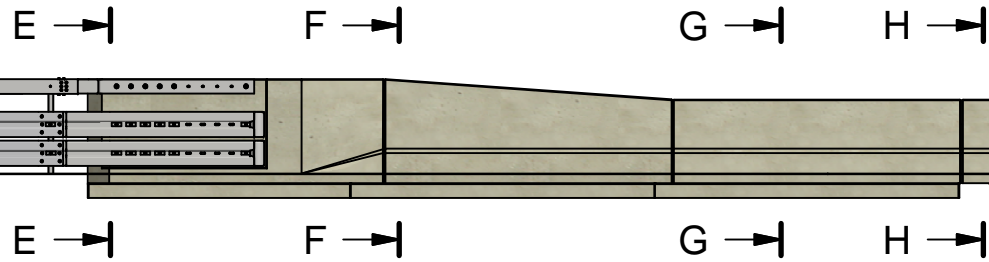
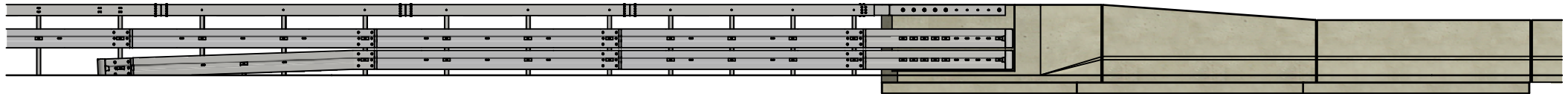
Origin ENG-008886

Replacement for

Replaced by

ko0476

Sheet
2 / 3
Rev.

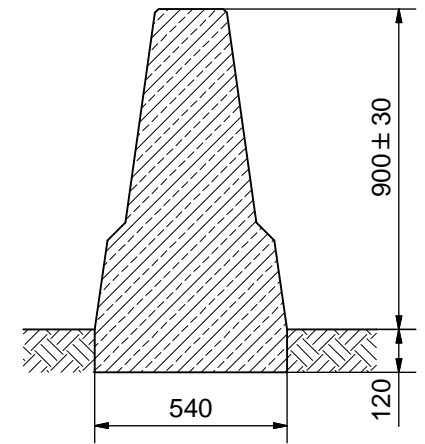
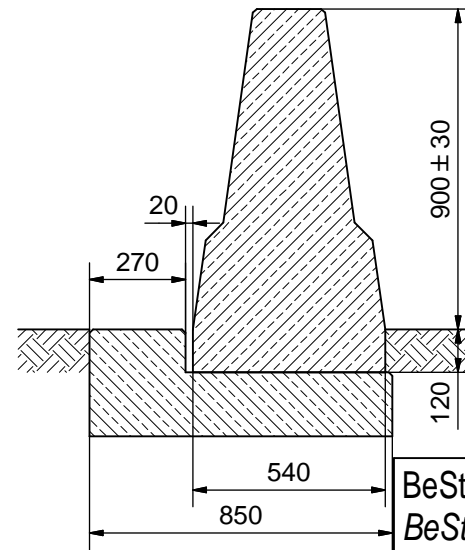
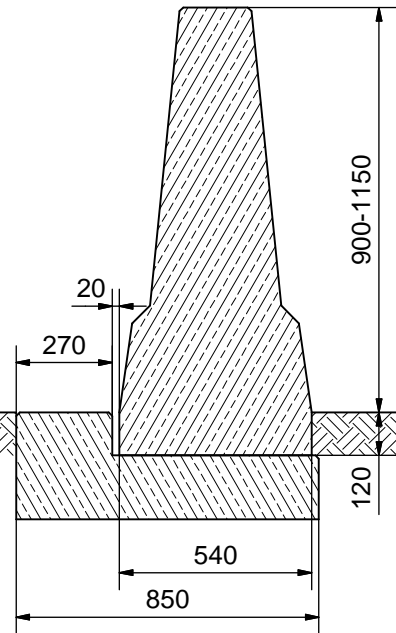
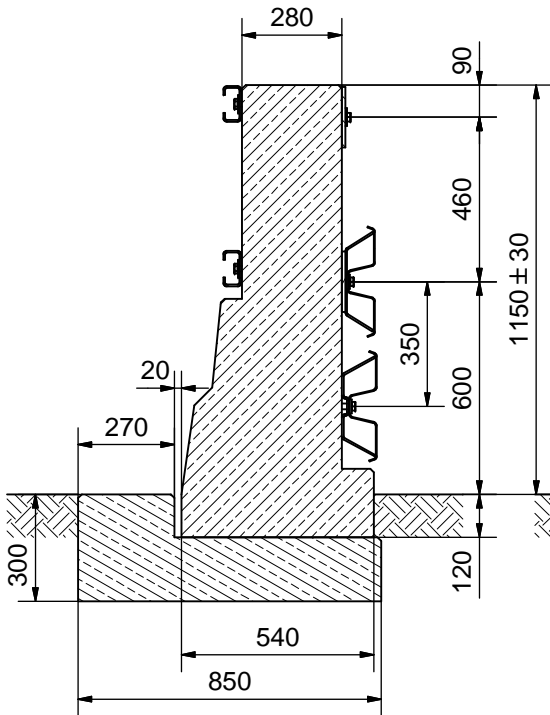


Schnitt E-E
Section E-E

Schnitt F-F
Section F-F

Schnitt G-G
Section G-G

Schnitt H-H
Section H-H



BeStCONNECT-SR B, Mitte, Anfang, (Stahlanteil)
BeStCONNECT-SR B, left, beginning, (part of steel)

Part-No.: ko0476

Drawn	29.10.2014	HJ.Schnitzler
Checked	05.12.2014	HJ.Schnitzler
ENV 1317-4		H2-W2-C

VOLKMANN & ROSSBACH GmbH & Co. KG
Hohe Strasse 9-17
56410 Montabaur • Germany
Tel.: +49 (0) 2602 135-0 • Fax: -490



Without our permission, this drawing must not be copied, nor to be handed over to any competitor nor to be made available to any other third party.

ENG-018304
ko0476
Replacement for | Replaced by

Sheet 3/3
Rev.

Origin ENG-008886

Replacement for | Replaced by