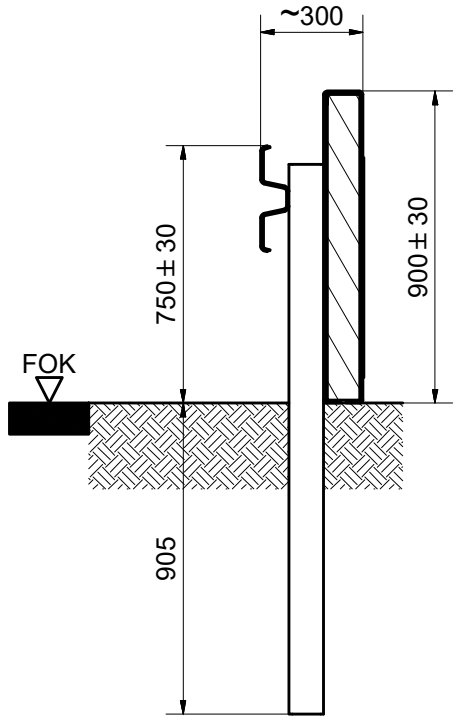


Schnitte siehe Blatt 2
Sections see sheet 2

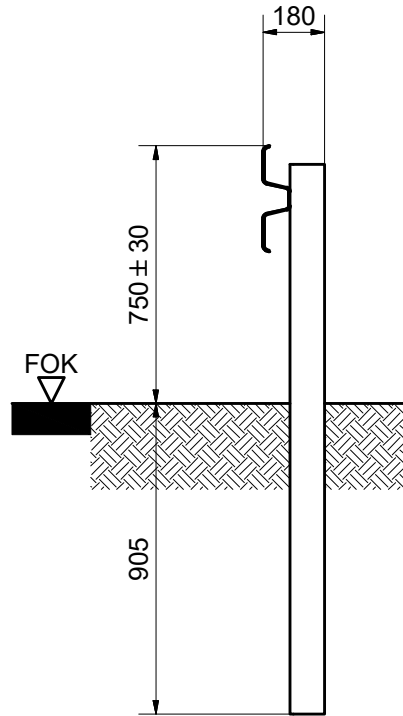
Übergang Eco-Safe 2.00 auf ER NA 1.33, re., Profil B
Transition Eco-Safe 2.00 to ER NA 1.33, right, profile B

Drawn	18.03.2019	B.Homscheid	VOLKMANN & ROSSBACH GmbH & Co. KG Hohe Strasse 9-17 56410 Montabaur • Germany Tel.: +49 (0) 2602 135-0 • Fax: -490	
Checked	29.05.2019	H.J. Schnitzler		
ENV 1317-4		H1-W3-A		
Without our permission, this drawing must not be copied, nor to be handed over to any competitor nor to be made available to any other third party.			ko1594-01 ENG-042571	Sheet 1/2 Rev. -

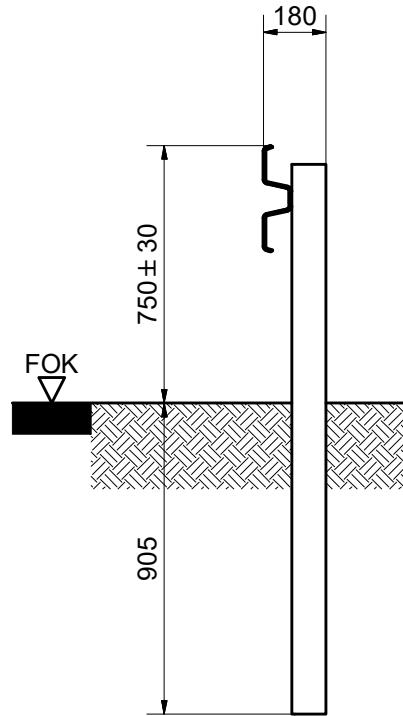
Schnitt A-A
Section A-A



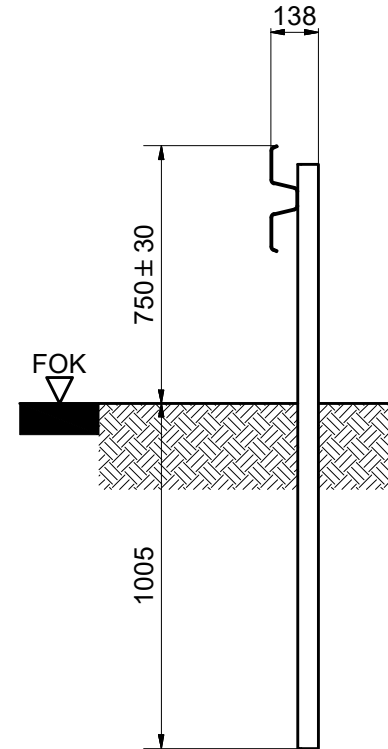
Schnitt B-B
Section B-B



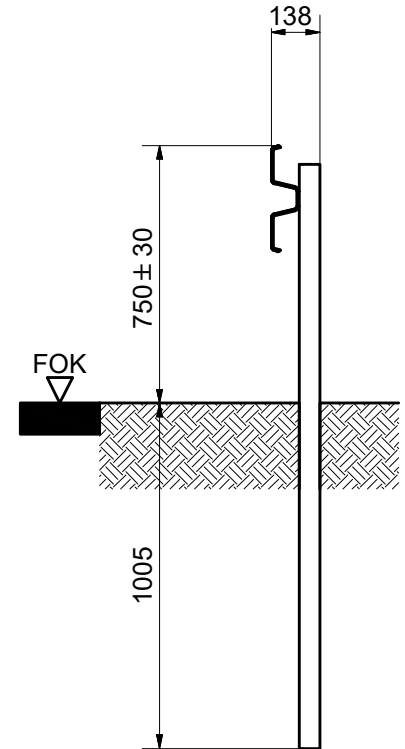
Schnitt C-C
Section C-C



Schnitt D-D
Section D-D



Schnitt E-E
Section E-E



Übergang Eco-Safe 2.00 auf ER NA 1.33, re., Profil B
Transition Eco-Safe 2.00 to ER NA 1.33, right, profile B

Drawn	18.03.2019	B.Homscheid	VOLKMANN & ROSSBACH GmbH & Co. KG Hohe Strasse 9-17 56410 Montabaur • Germany Tel.: +49 (0) 2602 135-0 • Fax: -490	
Checked	29.05.2019	H.J. Schnitzler		
ENV 1317-4		H1-W3-A	ko1594-01	Sheet 2 / 2
Without our permission, this drawing must not be copied, nor to be handed over to any competitor nor to be made available to any other third party.				Rev. -
ENG-042571				