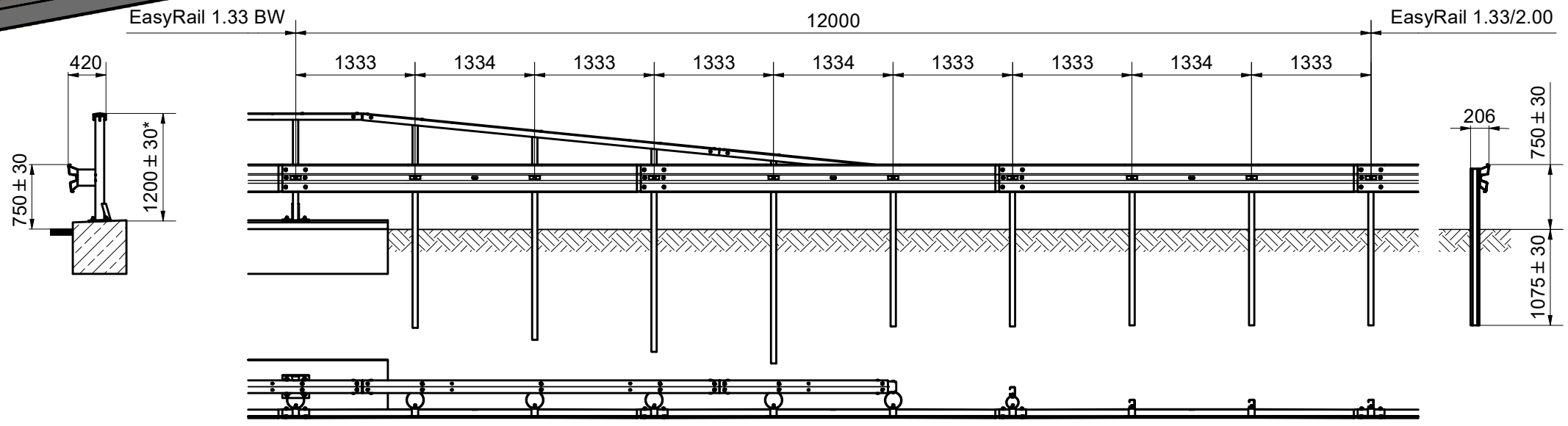
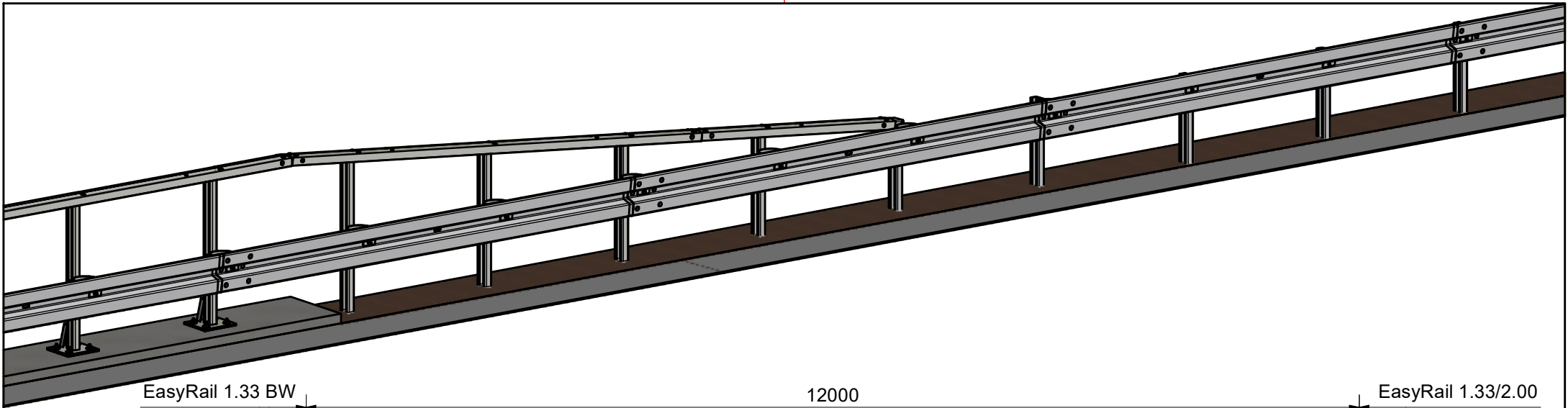


Übergang EasyRail auf EasyRail 1.33 BW, Profil A, Bl. 12 m
Transition EasyRail to EasyRail 1.33 OS, profile A, 12 m

Drawn	02.07.2014	Y.Aller	VOLKMANN & ROSSBACH GmbH & Co. KG Hohe Strasse 9-17 56410 Montabaur • Germany Tel.: +49 (0) 2602 135-0 • Fax: -490	
Checked	11.02.2021	Y.Aller		
ENV 1317-4	H1-W4-C			
Without our permission, this drawing must not be copied, nor to be handed over to any competitor nor to be made available to any other third party.				Sheet 1 / 1
ENG-016855				Rev. B

* CE-Modifikation: Systemhöhe 1.300 mm
 CE-Modification: System height 1,300 mm

ko1585-11



* CE-Modifikation: Systemhöhe 1.300 mm
 CE-Modification: System height 1,300 mm

Übergang EasyRail auf EasyRail 1.33 BW, Profil B, Bl. 12 m
 Transition EasyRail to EasyRail 1.33 OS, profile B, 12 m

Drawn	02.07.2014	Y.Aller	VOLKMANN & ROSSBACH GmbH & Co. KG Hohe Strasse 9-17 56410 Montabaur • Germany Tel.: +49 (0) 2602 135-0 • Fax: -490	
Checked	11.02.2021	Y.Aller		
ENV 1317-4	H1-W4-C			

Without our permission, this drawing must not be copied, nor to be handed over to any competitor nor to be made available to any other third party.

ko1585-12

ENG-016852

Sheet	1 / 1
Rev.	B