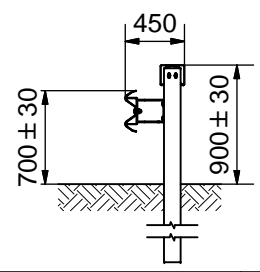
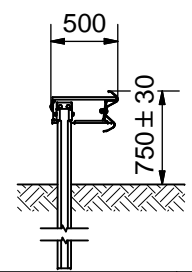


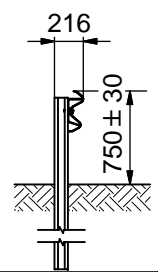
Schnitt A-A
Section A-A



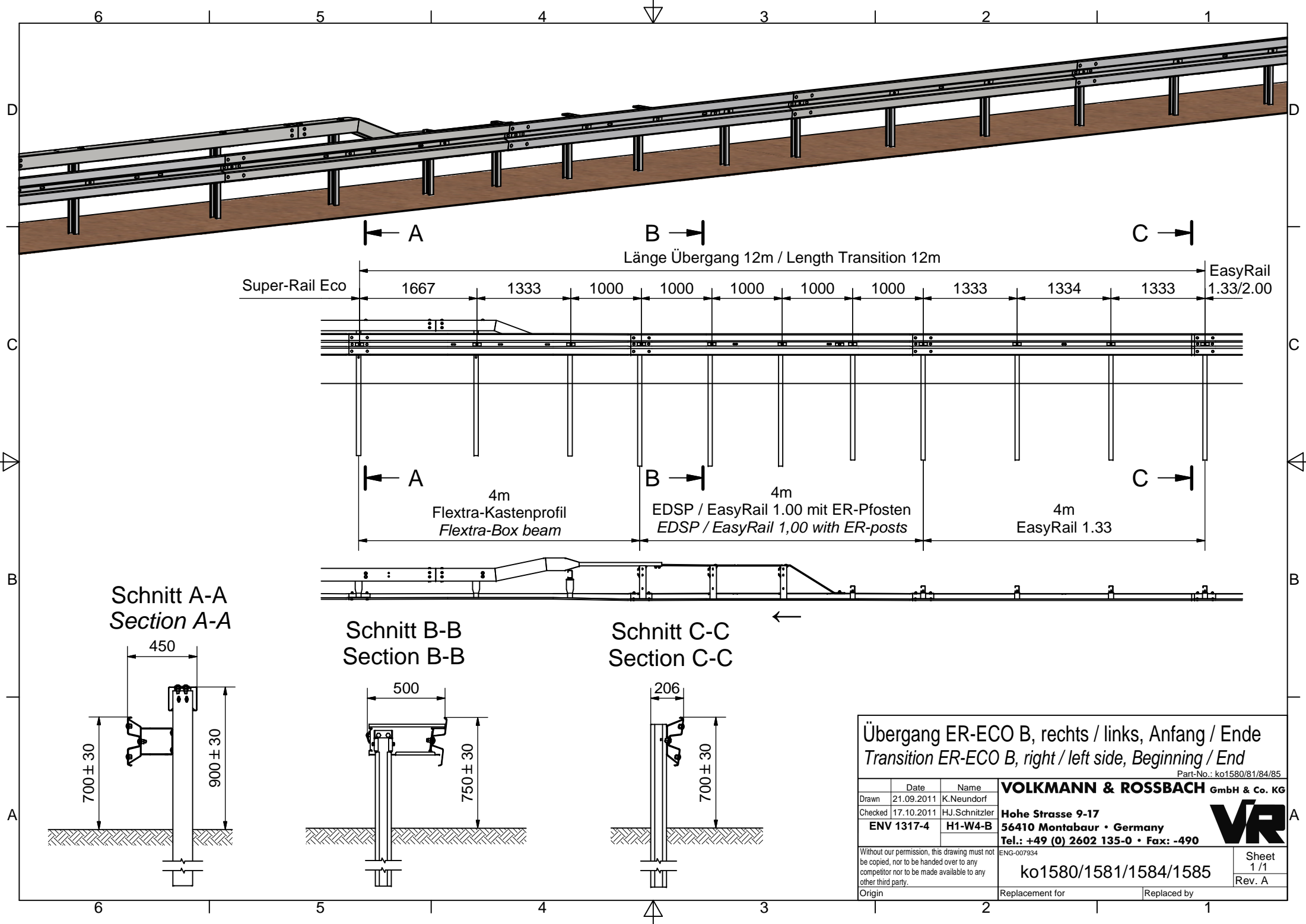
Schnitt B-B
Section B-B



Schnitt C-C
Section C-C



Übergang ER-Eco A, rechts / links, Anfang / Ende Transition ER-ECO A, right / left side, Beginning / End			Part-No.: ko1578/79/82/83
Date	Name	VOLKMANN & ROSSBACH GmbH & Co. KG Hohe Strasse 9-17 56410 Montabaur • Germany Tel.: +49 (0) 2602 135-0 • Fax: -490	
Drawn	K.Neundorf		
Checked	H.J.Schnitzler	VR	
ENV 1317-4	H1-W4-B		
Without our permission, this drawing must not be copied, nor to be handed over to any competitor nor to be made available to any other third party.		ENG-007293	ko1578/1579/1582/1583
Origin	Replacement for	Replaced by	Sheet 1/1 Rev. A



Länge Übergang 12m / Length Transition 12m

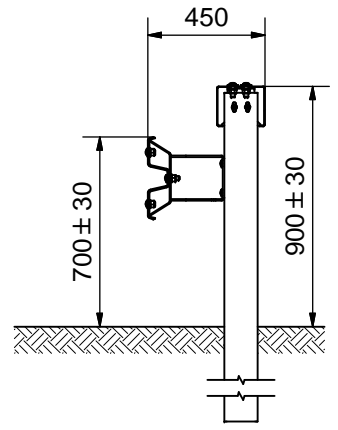
Super-Rail Eco 1667 1333 1000 1000 1000 1000 1000 1333 1334 1333 EasyRail 1.33/2.00

4m Flextra-Kastenprofil
Flextra-Box beam

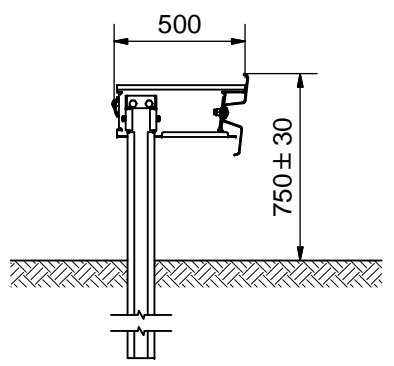
4m EDSP / EasyRail 1.00 mit ER-Pfosten
EDSP / EasyRail 1,00 with ER-posts

4m EasyRail 1.33

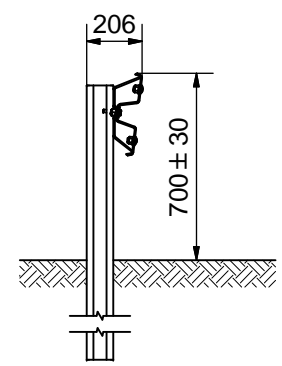
Schnitt A-A
Section A-A



Schnitt B-B
Section B-B



Schnitt C-C
Section C-C



Übergang ER-ECO B, rechts / links, Anfang / Ende
Transition ER-ECO B, right / left side, Beginning / End

Part-No.: ko1580/81/84/85

Drawn	21.09.2011	K.Neundorf	VOLKMANN & ROSSBACH GmbH & Co. KG Hohe Strasse 9-17 56410 Montabaur • Germany Tel.: +49 (0) 2602 135-0 • Fax: -490	
Checked	17.10.2011	HJ.Schnitzler		
ENV 1317-4	H1-W4-B			

Without our permission, this drawing must not be copied, nor to be handed over to any competitor nor to be made available to any other third party.

Origin Replacement for Replaced by

ENG-007934

ko1580/1581/1584/1585

Sheet 1/1
Rev. A